



improve your life

XFETTO ™

XFETTO ™



Attractive, slim, versatile &...

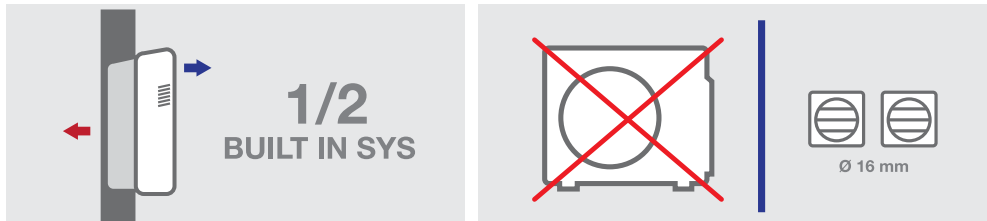
WITHOUT OUTDOOR UNIT



SINGLE DUCT AIR CONDITIONER

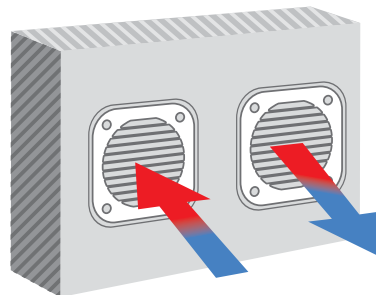
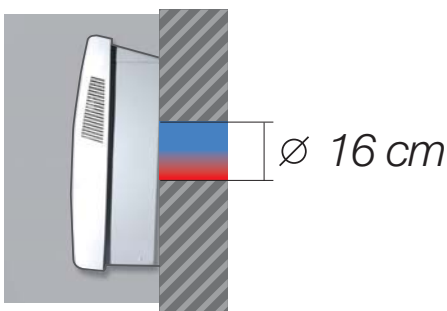
AIR CONDENSED

FULL DC INVERTER



Only 2 holes in the wall are needed...

to connect the air-condensed Xfetto model with the outside, as long as the holes are in a perimeter wall. Xfetto air/air houses an outdoor unit within its single case and in order to operate correctly requires a constant exchange of air with the outside because it uses air to cool the condenser. This air exchange takes place via two 16 cm holes (1 intake hole and 1 outflow hole), to be made in the installation wall, which therefore must be a perimeter wall. Thanks to the special grilles the unit can be installed very easily even from indoor the room, through walls or structures up to 2 metres thick or directly onto large windows with no loss of performance... Xfetto is also designed to allow recessed wall installation and in this instance its visible depth is reduced to only 10 centimetres.



ONLY 26 CM
DEPTH

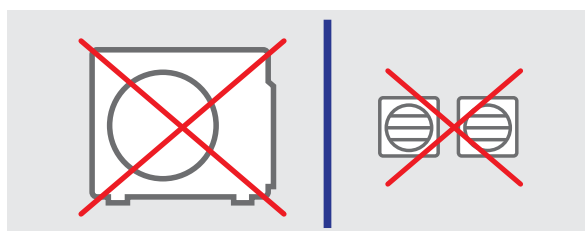
SINGLE DUCT AIR CONDITIONER

WATER CONDENSED

COP up to 4,68

ON/OFF

XFETTO 



Can also be installed on non-perimeter walls

Xfetto water-condensed still eliminates the problem of the outdoor unit by housing it within its single case, but it uses water instead of air to cool the condenser. This solution has the advantage of not requiring holes in the wall and thus allows the device to be installed on any type of wall, perimeter or not.

The advantages of this application include: great energy efficiency (COP up to 4.68), low power consumption (630 watts to achieve a heat output of over 3 kW) and extremely quiet operation thanks to the fact that the condenser, being water-cooled, has no ventilation system. The water-condensed version of Xfetto consumes just one cubic metre of water per day (less than one euro's worth). Unique and special, it provides solutions for niche applications that arise much more often than you may think... From residences in historic buildings with large supplies of water, to systems with cooling towers, heat pumps and/or boilers on closed-circuit loops even when controlled by BMS, such as Lyon Airport.

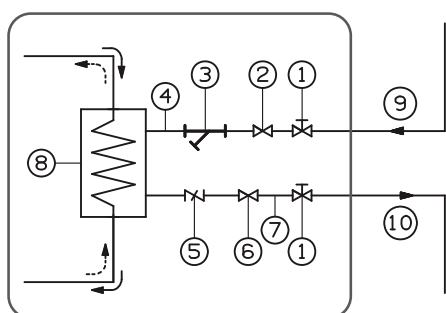
Mains water use

Xfetto can also operate as a terminal in a closed circuit water loop system with water at 30°C in accordance with EN14511 specifications. The water used to cool the condenser is fed into a circuit and drawn to a cooling tower where it is cooled and then reused by the device.

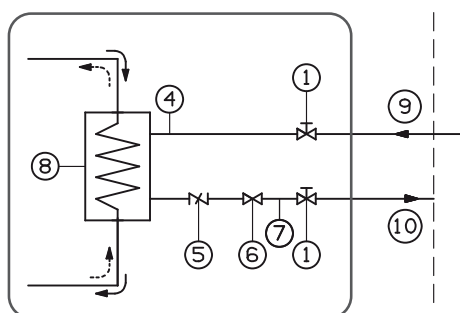
Closed circuit water use

Xfetto can also operate as a terminal in a closed circuit water loop system with water at 30°C in accordance with EN14511 specifications. The water used to cool the condenser is fed into a circuit and drawn to a cooling tower where it is cooled and then reused by the device.

Mains Water



Recirculated water



key

- ① Tap
- ② Flow rate valve
- ③ 0.5 mm mechanical mesh filter
- ④ Water inlet hose
- ⑤ Flow switch
- ⑥ Solenoid
- ⑦ Water outlet hose
- ⑧ Water heat exchanger
- ⑨ Water inlet
- ⑩ Water outlet

WITH HYDRAULIC MODULE - ON/OFF VERSIONS

AS A RADIATOR SUBSTITUTE

A real advantage for on/off versions, both air or water-condensed, is the ability to connect Xfetto to a central heating system and use it as a radiator connected to the heating system circuit using the dedicated hydraulic module (optional), which also includes a three-way bypass valve.

To use the radiator function Xfetto must be connected to the central heating system, whether it is centralised or autonomous. Suitable checks should first be carried out on the system to determine the water flow rate conditions in terms of volume and heat output.

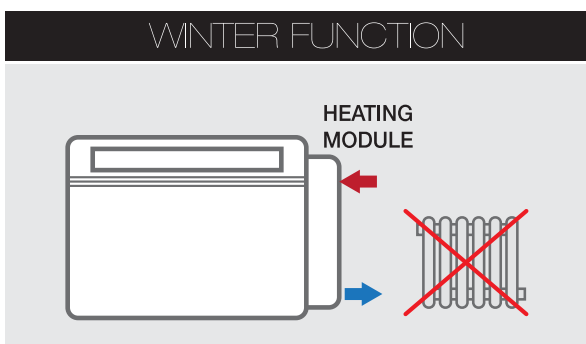
The connection can be made using the dedicated optional kit, which in concept represents a kind of interface module between xfetto and the central heating system. Without this kit, xfetto can still be installed with the maximum flexibility as an air conditioner/heat pump without an outdoor unit (for example in places where no central heating system is installed due to climatic conditions).

The connection kit to the central heating system is symmetrical and can be fitted on the left or right of the device. It is designed to adapt to various different existing situations (pipes on the right, pipes on the left, delivery on the right and return on the left, delivery above and return below...). This means that the same kit can be used for both sides. The size and shape of the kit elegantly covers most types of hydraulic connection.

The kit is comprised of a plastic casing and all the components (electronic and hydraulic) required for radiator operation. The installer need only make the hydraulic connections to the central heating system delivery and return pipes.

Installation with the hydraulic module for connection to a boiler
Radiator function!

ON/OFF



XFETTO AIR CONDENSED



DC INVERTER



HEAT PUMP

- SVPWM 180° full DC inverter technology
- Heat pump with cool, heat, dehumidify and fan functions
- Universal multifunction remote control with LCD display, I Feel sensor, wall mount and transmitter with a wide range of operation
- Temperature check comparison between remote control sensor and unit sensor
- iFeel function
- ECO and High Power functions
- Horizontal deflector with 6 positions set via remote control and iFlap function for intelligent air distribution
- Automatic fan speed and/or three set speeds available via remote control
- Condensing with variable speed fan
- Intelligent Cold draft and Defrost functions
- Additional electrical heating (820 watts) activated by the software in auto mode when the unit is unable to balance the thermal load, or manually activated/deactivated via remote control as a booster for the heat pump or as a Fan Heater
- Auto-restart following black outs and excess pressure protection devices
- High efficiency rotary compressor covered by a 5-year warranty
- Optional feet for floor installation (windows, loft conversions...)

COMPLIANT TO REGULATION

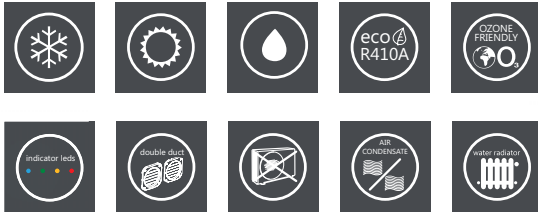
ERP-ECODESIGN

PRODUCT NAME	Units	XFETTO DCI	
		Cooling	Heating
Features			
Cooling capacity	kW	1,85 [1,10-2,93]	2,27 [0,90-3,05]
Additional electrical resistance	kW		0,85
Energy label class	ABCDEFGF	A	A
E.E.R. / C.O.P.	(kW/kW)	2,61	3,17
Air flowrate (h.-m.-l.)	m ³ /h	330-300-280	
Dehumidification	litres/h	1,0	
Fan speeds	n°	3 + Auto	
Sound pressure (h.-m.-l.)	dB(A)	43-38-35	
Power supply	V/Ph/Hz	230/1/50	
Running consumption	kW	0,710	0,715
Annual energy cons. - A/C (500h)-Dir. 2002/31/CE	kWh	355	-
Refrigerant type		R410A	
Ducts diameter	mm	162	
Condensate discharge		by duct, outside or inside the room	
Net weight	Kg	49	
Net dimension (H./W./D.)	mm	735x839x260-280	

EN 14825

Argo Xfetto is protected by Patent No. 261412 granted to Argoclima S.p.A. on 8th January 2009

XFETTO AIR CONDENSED



245C	COOLING ONLY
235H	HEAT PUMP

ON/OFF



- Installation on a perimeter wall
- Automatic switching from cooling to heating action based on the set temperature (235H)
- Radiator operation when connected to the heating system circuit using the dedicated hydraulic module (optional), which includes a three-way bypass valve
- Remote control with digital 24h thermostat/timer and up to 4 addresses
- Dual temperature sensor (on the unit and on the remote control)
- iFeel & Night functions
- Horizontal deflector that can be switched between fixed and oscillating positions via remote control
- Condensing with variable speed outdoor fan for maximum quietness
- Tangential fan with three programmable speeds or automatic speed control
- Device that prevents the release of cold air into the room by activating heat pump mode during defrosting cycles (235H)
- Device that prevents the circulation of air in the room when the heating water temperature is below 40°C in radiator mode
- Precision thermostat with settings from 6°C to 40°C in radiator mode
- Auto restart following power black outs
- Electronic protection against excess pressure
- High efficiency rotary compressor covered by a 5-year warranty
- Optional feet for floor installation (windows, loft conversions...)

COMPLIANT TO REGULATION

ERP-ECODESIGN

PRODUCT NAME		XFETTO 245C	XFETTO 235H	
Features	Units	Cooling	Cooling	Heating
Cooling/Heating capacity (A/Conditioner mode)	kW	2,45	2,35	2,25
	BTU/h	8.360	8.020	7.700
	kcal/h	2.110	2.020	1.935
Heating capacity (Water Radiator mode)	kW	2,10	2,10	
Energy label class	ABCDEFGF	A	A	B
E.E.R. / C.O.P.	(kW/kW)	2,62	2,61	2,65
Air flowrate (h.-m.-L.)	m³/h	330-300-280	330-300-280	
Dehumidification	l/h	1,2	1,0	
Fan speeds	n°	3 + Auto	3 + Auto	
Sound pressure in Air/Conditioner mode (h.-m.-L.)	dB(A)	45-43-41	45-43-41	
Sound pressure in Water radiator mode (h.-m.-L.)	dB(A)	42-39-32	42-39-32	
Power supply	V/Ph/Hz	230/1/50	230/1/50	
Running consumption in Air/Conditioner mode	kW	0,935	0,900	0,850
Annual energy cons.- A/C(500h)-Directive 2002/31/EC	kWh	468	450	-
Running consumption in Water radiator mode	kW	0,027	0,027	
Refrigerant type		R410A	R410A	
Ducts diameter	mm	162	162	
Hydraulic connection diameter on the heating plant (W.R.mode)	inch	1/2"	1/2" gas F	
Condensate discharge			by duct, outside or inside the room	
Condensate drain connection diameter (outside)	mm	-	18	
Net weight	Kg	50	52	
Net dimensions (H./W./D.)	mm	735/839/260-280	735x839x260-280	

EN 14825

The technical data provided refers to European Standard EN14511 - Directive 2002/31/CE

Argo Xfetto is protected by Patent No. 261412 granted to Argoclima S.p.A. on 8th January 2009

XFETTO WATER CONDENSED



ON/OFF 



245SC H2O COOLING ONLY

235HP H2O HEAT PUMP

- Can be installed on any wall, even non-perimeter walls, because it does not require holes in the wall
- Designed to work with mains water or a well/groundwater source, it can also operate as a terminal in a closed circuit water loop system with water at 30°C in accordance with EN14511 specifications
- Very high levels of efficiency (EER up to 4.68)
- Automatically switches from cooling to heating based on the set temperature (235HP)
- Operates as a radiator when connected to the heating system circuit using the dedicated hydraulic module (optional), which includes a three-way bypass valve
- High efficiency plate heat exchanger with a solenoid to cut off mains water circulation when the compressor is off
- Antifreeze protection on condensation water circuit
- Installation of a viewable filter on the mains water inlet (to be completed by installer) recommended
- Remote control with digital 24h thermostat/timer and up to 4 addresses
- Dual temperature sensor (on the unit and on the remote control)
- Dry, Fan Only, iFeel and Night Functions
- Horizontal deflector that can be switched between fixed and oscillating positions via remote control
- Washable air filters
- Tangential fan with three programmable speeds or automatic speed control
- Device that prevents the release of cold air into the room, in heat pump mode (235HP)
- Device that prevents the circulation of air in the room when the heating water temperature is below 40°C in radiator mode
- Precision thermostat with settings from 6°C to 40°C in radiator mode
- Auto restart following power black outs
- Electronic protection against excess pressure
- High efficiency rotary compressor covered by a 5-year warranty
- Optional feet for floor installation (windows, loft conversions...)

PRODUCT NAME	Operation	XFETTO 245SCH_O		XFETTO 235HPH_O			
		Town water	Water loop[*]	Town water	Risc.	Raffr.	Water loop[*]
Features	Units	Raffreddamento					
Cooling/Heating capacity (Air-Conditioner mode)	kW	2,83	2,7	2,95	3,15	3,00	3,56
	BTU/h	9.650	9.200	10.060	10.740	10.230	12.140
	kcal/h	2.430	2.320	2.540	2.710	2.580	3.060
Energy label class	ABCDEFG	-	B	-	-	A	C
E.E.R. / C.O.P.	[kW/kW]	4,42	4,15	4,68	3,80	4,41	4,14
Air flowrate (h.-m.-L.)	m³/h	330-300-280		330-300-280		330-300-280	
Dehumidification	litri/h	1,2	1,2	1,3		1,3	
Fan speeds	n°	3 + Auto	3 + Auto	3 + Auto		3 + Auto	
Sound pressure in Air-Conditioner mode (h.-m.-L.)	dB(A)	44-42-41	44-42-41	44-42-41		44-42-41	
Power supply	V/Ph/Hz	230/1/50		230/1/50			
Running consumption in Air-Conditioner mode	kW	0,640	0,650	0,630	0,830	0,680	0,860
Annual energy cons.- A/C(500h)-Directive 2002/31/EC	kWh	-	325	-	-	340	-
Water flowrate for the heat exchanger	m³/h	0,150	0,525	0,150		0,525	
Pressure drops	KPa	2,9	38,0	2,9		40,3	
Refrigerant type		R410A	R410A	R410A		R410A	
Water connection diameter (in/out)	inch	1/2" [gas] F	1/2" [gas] F	1/2" [gas] F		1/2" [gas] F	
Condensate drain connection diameter (inside or outside)	mm	13/18	13/18	13/18		13/18	
Heat transferred to water	kW	3,47	3,35	3,58	-	3,68	-
Heat moved from water	kW	-	-	-	2,04	-	2,7
Heating capacity in Water Radiator mode	kW		2,1			2,1	
Running consumption in Water radiator mode	kW		0,027			0,027	
Water flowrate in Water Radiator mode	m³/h		0,19			0,19	
Pressure drops in Water Radiator mode	kPa		2,9			2,9	
Hydraulic connection diameter to the heating plant (W.R.mode)	inch		1/2" F			1/2" [gas] F	
Sound pressure in Water radiator mode (h.-m.-L.)	dB(A)		42-39-32			42-39-32	
Net weight	Kg		46			48	
Net dimensions (H./W./D.)	mm		735/839/260-280			735x839x260-280	

water loop: standard conditions EN14511

Mains water - Cool: Amb. temp. 27°C d.b. / 19°C w.b. - Water temp. in 18°C - out 36°C / Heat pump: Amb. temp. 20°C d.b. - Water temp. in 18°C - out 6°C
 Water loop - Cool: Amb. temp. 27°C d.b. / 19°C w.b. - Water temp. in 30°C - out 35°C / Heat pump: Amb. temp. 20°C d.b. - Water temp. 15°C
 Radiator - Amb. temp. 20°C - Water temp. in 70°C - out 60°C

Argo Xfetto is protected by Patent No. 261412 granted to Argoclima S.p.A. on 8th January 2009

www.argoclima.com



improve your life

argoclima S.p.A.

head office
Via Varese, 90
21013 Gallarate (VA) ITALY
Tel: + 39 0331 755111
Fax: + 39 0331 776240
www.argoclima.com

QR CODE



N.B. The manufacturer assumes no responsibility for any errors or inaccuracies in the content of this catalogue, and reserves the right to make any necessary changes to its products, at any time and without notice, for technical or commercial reasons.